



Linee automatiche
di frittura e bollitura
Automatic lines for
frying and boiling production

ELEVATOR BELT



FEATURES:

- Elevator belt for transporting food products;
- Elevator belt in blue food polyurethane;
- Adjustable belt speed;
- Product loading hopper of various sizes, depending on the request;
- Possibility to add an exit chute for product distribution in a wider width;
- Side panels and hopper group easily removable;
- Control panel on the machine, easily removable;
- Structure with swivel wheels (two with brake) and adjustable in height for better stability in case of rough floors.



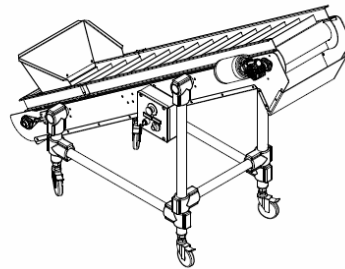
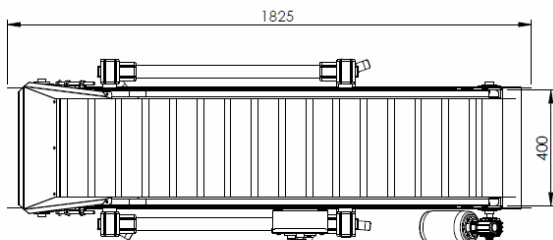
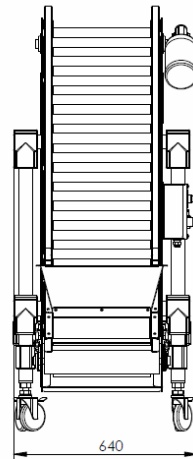
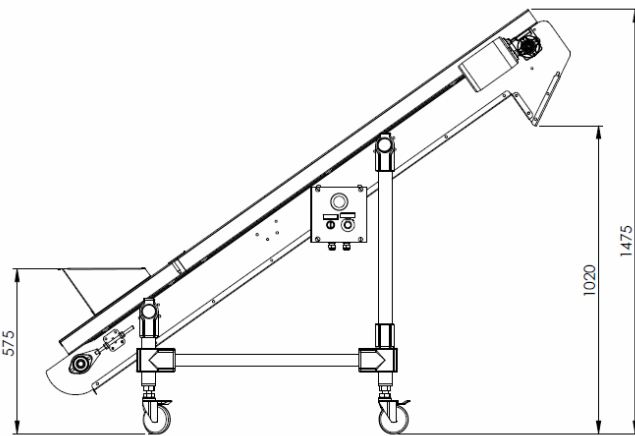


Linee automatiche
di frittura e bollitura
Automatic lines for
frying and boiling production

TECHNICAL FEATURES:

- Overall dimensions cm 147,5 x 64 x 182,5;
- Belt measures cm 210 x 40;
- Product loading height 108 cm adjustable;
- Product discharge height 133 cm adjustable;
- Maximum electric power used 100W;
- Adjustable belt speed;
- Belt in blue food polyurethane;
- The electrical panel is easily removable;
- Easily removable parts for cleaning;
- Structure and parts constructed integrally with materials suitable for contact with food;
- CE marking.

DIMENSIONS:



AFRYER LTD Via Senatore Fabbri, 62 (Z.I. Lovadina) - 31027 Spresiano (TV) - Tel. +39 3519650377 Web site: <http://www.afryer.eu/>
E-mail: info@afryer.eu - P.IVA 05067780261 - C.F. 94165770267 - R.E.A. TV-426014

